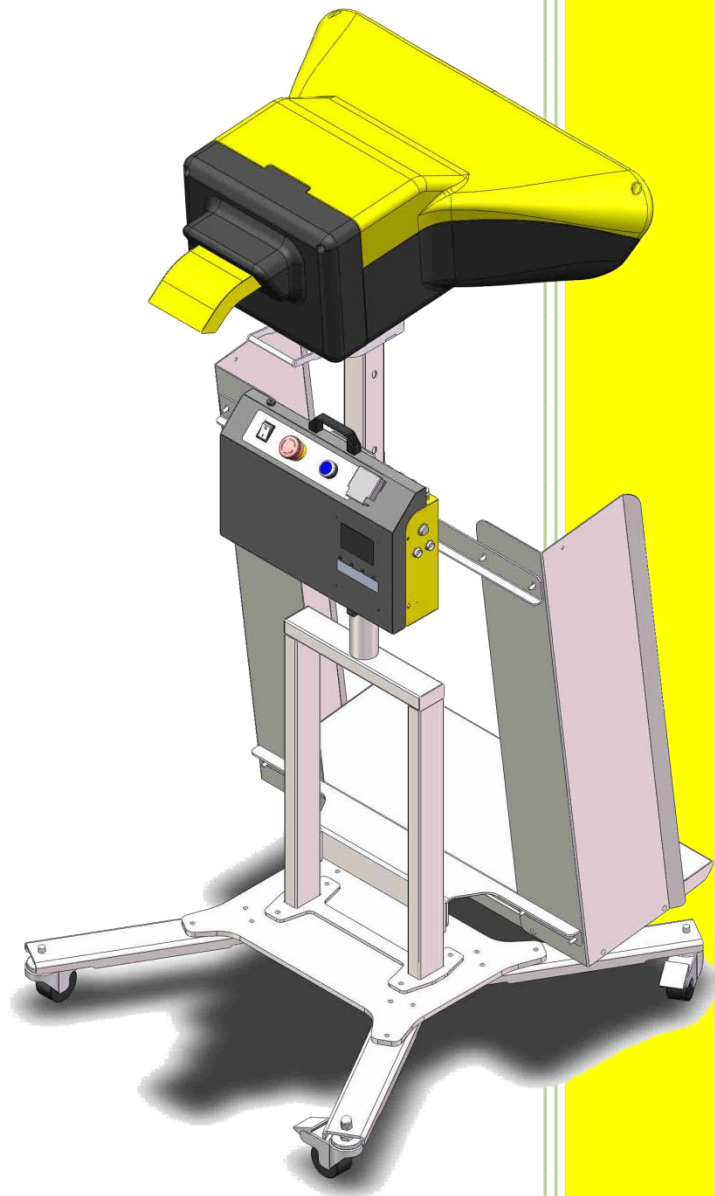




# User's Guide – X-Fill Pro

Original Instructions





## **X-Fill Pro (XFP-0)**

---

**Model :** XFP-0-U / XFP-0-E

**Serial No :**

**Accessories :**

Please attach the business card  
of your **Nuevopak** Representative here

## Table of Contents

1.0	About This Guide .....	4
2.0	Safety .....	5
2.1	Important Safety Instructions (Save These Instructions).....	5
2.2	Compliance.....	9
3.0	Overview .....	12
3.1	System Description.....	12
3.2	Sequence of Operation.....	13
3.3	Electrical Power Requirements .....	14
3.4	Paper Types .....	14
3.5	System Components .....	15
4.0	Set-up.....	18
4.1	System Set-up – Floor Stand for X-Fill Pro .....	19
4.2	System Set-up – Head Assembly and Controller of X-Fill Pro.....	23
4.3	Transport, Handling, and Storage.....	25
5.0	Operation .....	26
5.1	Loading the Paper Pack .....	26
5.2	System Controls.....	27
5.3	Free Mode Output.....	29
5.4	Memory Mode Output .....	29
5.5	Preset Mode Output .....	30
5.6	Cut & Hold Mode Output.....	30
5.7	Runtime Warning .....	31
6.0	Maintenance .....	32
6.1	Maintenance Overview.....	32
6.2	Cleaning Dust from the System.....	33
6.3	Replacing the Power Fuse .....	35

## **X-Fill Pro (XFP-0)**

---

7.0	Troubleshooting.....	36
7.1	No Power to the System.....	36
7.2	Problems with Making Paper Void Fill Material.....	37
8.0	Customer Service .....	38
8.1	Who to Contact .....	38
8.2	Using Technical Support.....	38

## 1.0 About This Guide

The *User's Guide—X-Fill Pro* is written and illustrated to easily familiarize the operator with system safety, system operation, and performing maintenance.

### Information symbols used throughout this guide:



This “**BOLT OF LIGHTNING**” symbol indicates that there is non-insulated material within your unit that may cause an electrical shock.



This “**ENTRAPMENT**” symbol indicates that there are paper forming gears within your unit that can cause injury.



This “**READ MANUAL**” symbol calls attention to the importance of reading and understanding the provided user's guide.



This “**GOGGLES**” symbol calls attention to the need to wear protective eye wear while performing maintenance and repair procedures.



This “**Ear protection**” symbol calls attention to the need to wear ear protection during operation.




This “**EXCLAMATION POINT**” symbol calls attention to equipment features that you should be familiar with by reading the enclosed literature. This will help prevent operating problems.



This “**TRIANGLE**” symbol calls attention to special notes that will enhance operating and maintenance procedures.

### Definitions used throughout this guide:


- A *Machine* is defined as the X-Fill Pro which is manufactured by Nuevopak.
- An *Operator* is defined as those individuals who have been trained by a **Nuevopak** representative and are authorized to operate the system as outlined in this guide, the *User's Guide—X-Fill Pro*.
-  **WARNING!** Only *Qualified Service Personnel* who have been trained by a Nuevopak representative are allowed to perform maintenance and repair procedures.
- *Qualified service personnel* is defined as those individuals who have been trained by a Nuevopak representative and are authorized to: operate the system, and to perform maintenance and repair procedures as outlined in the *User's Guide—X-Fill Pro*.
- A **Nuevopak representative** is defined as those individuals who are authorized to: install and decommission the system, operate the system, train *operators*, train *qualified service personnel*, and to perform all maintenance and repair procedures as outlined in the *User's Guide—X-Fill Pro*.
- A *user* is defined as the joint name of *operators* and *qualified service personnel*.
- *Paper Soft-jam* is defined as the case that the cushioning paper is jammed in the forming gears after a mistaken operation.

### NOTICE

©Copyright 2018 by Nuevopak Company Limited (NK Co. Ltd.) All rights reserved.

## 2.0 Safety

### 2.1 Important Safety Instructions (Save These Instructions)

-  **Read and thoroughly understand this guide.**
- Before operating the X-Fill Pro, be sure of the following:**
  - The operator has received full training by an authorized Nuevopak representative.
  - The operator has read and understood all safety instruction labels attached to the system.
  - In the event of an accident, seek medical attention as required. Turn the system OFF and disconnect and lockout the main power until the unit can be inspected by a Nuevopak representative or *qualified service personnel* that have been trained by a Nuevopak representative.
  - Connect to a properly grounded outlet only. For grounding instructions – see 3.3 *Electrical Power Requirements*.



**WARNING!** Failure to properly ground the system could create an electrical shock hazard.



**WARNING!** A qualified electrician should be consulted if there is any doubt as to whether an outlet box is properly grounded.

- To disconnect, turn all controls to the OFF(“O”) position, then remove the plug from the outlet.
  - Do not unplug by pulling on cord. To unplug, grasp the plug, not the cord.
  - Unplug from the outlet when not in use and before servicing or cleaning.
  - The *X-Fill Pro* System is for intermittent use and should not be run continuously for more than 1 minute.
- The Paper Void Fill material created by the *X-Fill Pro* is intended to be used only as packaging material.**
  - The operator should not perform any maintenance or repair procedures other than the procedures specified in the 6.0 Maintenance section of this *User’s Guide—X-Fill Pro*:**
    - In the event of a breakdown or if operation of the system differs from the descriptions in this guide, turn the system OFF and disconnect and lockout the main power until the unit can be inspected by a Nuevopak representative or qualified service personnel that have been trained by a Nuevopak representative.
    - Changes or modifications not expressly approved by Nuevopak Corporation could void the user’s authority to operate the equipment.



**WARNING!** Do not attempt to repair or modify the *X-Fill Pro* other than those procedures outlined in the 6.0 Maintenance section of this *User’s Guide—X-Fill Pro*. All other repairs must be done by a Nuevopak representative or *qualified service personnel* that have been trained by a Nuevopak representative.



**WARNING!** Use protective eye wear as indicated when performing maintenance and repair procedures.



**WARNING!** Do not open up the electrical compartment (controller).

## 2.1 Important Safety Instructions (cont.)

### 5. Lockout/Tagout(LOTO):

- All maintenance procedures should be performed in the approved manner using Lockout/Tagout procedures.
- The equipment may be isolated from its energy source by unplugging the X-Fill Pro power cord plug with an electrical lockout cover and locking.
- Prior to beginning maintenance procedures always verify that de-energization for Lockout/Tagout has been PERFORMED.



**Note:** Do not operate any equipment with damaged, loose, or malfunctioning components. Contact a Nuevopak representative.

### 6. Inspect at regular intervals to ensure that:

- Component cables are not cut, broken, or damaged.
- Cords or plugs are not damaged.
- No components are loose.
- All controls and indicators function properly.
- Do not operate any system with a damaged cord or plug, or after the system malfunctions or is dropped or damaged in any manner. Return the system to the nearest authorized service facility for examination, repair, or electrical or mechanical adjustment.

### 7. Airborne noise emission:

- The A-weighted emission sound pressure level at the work station is 80dB(A) with a measurement uncertainty of 2.5dB. Measurement standard EN ISO 11202:2010.



**WARNING!** Wear ear protection during operation.

### 8. Use of Nuevopak Materials and Accessories:

- We strongly recommend that customers use only *X-Fill Pro* Paper with the *X-Fill Pro* and that the *X-Fill Pro* be used only in connection with accessories supplied by Nuevopak. We can assume no responsibility when other materials are used in the *X-Fill Pro* and we reserve the right to refuse to service any *X-Fill Pro* if non-*X-Fill Pro* paper or parts have been used. Service includes, without limitation, providing repairs and maintenance services, supplies and parts.

### 9. Paper packs are heavy:

- Paper packs should be lifted with caution.



**CAUTION!** The paper pack is heavy –see *Table 3-3*.



## X-Fill Pro (XFP-0)

### 2.1 Important Safety Instructions (cont.)

#### 10. Environmental conditions:

- Storage temperature: -4°~ 122°F/ -20°~ 50°C
- Operating temperature: 46°~ 95°F/ 8°~ 35°C
- Storage humidity: “dry” ~ 95% (in protective packaging)
- Operating humidity: 30 ~ 90%
- Electrical equipment shall be capable of operating correctly at altitudes up to 1000m above mean sea level.



**WARNING!** Neither the machine as a whole nor its internal components are intended for use in with or around potentially flammable or explosive materials.



**Note:** Do not use outdoors.

#### 11. Residual risk:

Safety guarding is incorporated into the *X-Fill Pro* but minimal exposure is present at:

- Paper entrance chute – keep clothing, hair, and jewelry out of the entrance chute.
- When the front cover is hinge down, the knife blade is exposed. Care and avoidance needs to be taken.
- Keep away from the sharp edge of the running paper.

#### 12. Safety Devices – see *Figure 2-1*:

The following are safety devices for the *X-Fill Pro*:

- **Emergency stop button(E-stop)**– This switch, located on the control panel, when pushed interrupts power to the drive motor and the knife.
- **Front cover safety switch** – The switch, when the front cover is removed, interrupts power to the drive motor.
- **Cover** – The Front cover guards against access to moving parts and the knife during operation.



**WARNING!** Do not remove or tamper with the following built-in safety devices.



**WARNING!** Do not open the covers except where instructed in the *6.0 Maintenance* section of this guide. The guards and access covers should be removed only by an authorized Nuevopak representative or *qualified service personnel* that have been trained by a Nuevopak representative.

**2.1 Important Safety Instructions (cont.)**



**Warning!**  
**CUT! Keep hands away**



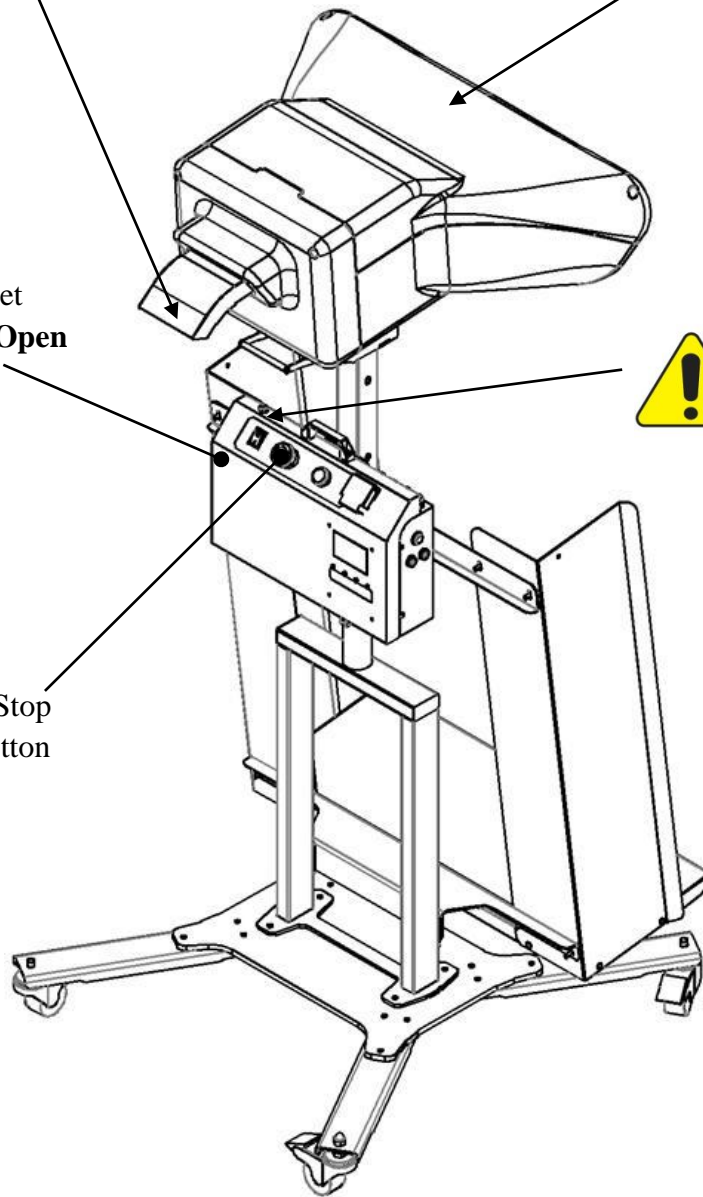
**Warning!**  
**Gear Entrapment**

  
Electrical Cabinet  
**Warning! Do Not Open**

E-Stop  
Button



  
**F5.0A/250V**  
5mm X 20mm  
5 Amp 250 volt  
fuse.



**Safety Devices**  
**Figure 2-1**

## **X-Fill Pro (XFP-0)**

---

### **2.2 Compliance**

EC Declaration of Conformity according to  
EC Machinery Directive 2006/42/EC  
Low Voltage Directive 2014/35/EU  
EC EMC Directive 2014/30/EU  
RoHS Directive 2011/65/EU

We herewith declare,  
Nuevopak Company Limited (NK Co Ltd.)  
Unit 306, 3/FL, Yen Sheng Centre, 64 Hoi Yuen Road, Kwun Tong, Kowloon, Hong Kong.

that the following product complies with the appropriate basic safety and health requirements of the EC Directive based on its design and type, as brought into circulation by us. In case of alteration of the product, not agreed upon by us, this declaration will lose its validity.

Product Description: X-Fill Pro Paper Void Fill System  
Model Number: XFP-0-E, XFP-0-U

Authorized on behalf of Nuevopak Company Limited (NK Co Ltd.)

#### **Applicable Harmonized Standards:**

EN 60204-1:2006+A1:2009+AC:2010 Safety of machinery - Electrical equipment of machines - Part 1: General requirements  
EN ISO 13849-1:2015 Safety of machinery - Safety-related parts of control systems - Part 1: General principles for design  
EN ISO 12100:2010 Safety of machinery - General principles for design - Risk assessment and risk reduction  
EN ISO 13857:2008 Safety of machinery - Safety distances to prevent hazard zones being reached by upper and lower limbs  
EN 349:1993+A1:2008 Safety of machinery - Minimum gaps to avoid crushing of parts of the human body  
EN ISO 14120:2015 Safety of machinery - Guards - General requirements for the design and construction of fixed and movable guards  
EN 61000-6-4:2007+A1:2011 Generic Emissions, Industrial Environment  
EN 61000-6-2:2005+AC:2005 Generic Immunity, Industrial Environment

## 2.2 Compliance(cont.)



### FCC

This equipment has tested and found to comply with the limits for a Class A digital device, pursuant to Part 15 of the FCC Rules. These limits are designed to provide reasonable protection against harmful interference when the equipment is operated in a commercial environment. This equipment generates, uses, and can radiate radio frequency energy and, if not installed and used in accordance with the instruction manual, may cause harmful interference to radio communications. Operation of this equipment in a residential area is likely to cause harmful interference in which case the user will be required to correct the interference at his own expense.

**This device complies with part 15 of the FCC Rules.**

**Operation is subject to the following two conditions: (1)the device may not cause harmful interference, and (2)this device must accept any interference received, including interference that may cause undesired operation. Changes or modifications not expressly approved by the party responsible for compliance could viod the user’s authority to operate the equipment.**

**NOTE: This equipment has been tested and found to comply with the limits for a Class A digital device, pursuant to part 15 of the FCC Rules. These limits are designed to provide reasonable protection against harmful interference when the equipment is operated in a commercial environment.**

**This equipment generates, uses, and can radiate radio frequency energy and, if not installed and used in accordance with the instrction manual, may cause harmful interference to radio communications.**

**Operation of this equipment in a residential area is likely to cause harmful interference in which case the user will be required to correct the interference at his own expense.**

## X-Fill Pro (XFP-0)

---

### 2.2 Compliance(cont.)

# CE EC DECLARATION OF CONFORMITY CE

For the following machinery:

*Product name:* X-Fill Pro Paper Void Fill System

*Model:* XFP-0-E, XFP-0-U

is herewith confirmed to fulfill all the relevant provisions of Machinery Directive (2006/42/EC), and Electromagnetic Compatibility Directive (2014/30/EU)

and the following harmonized standard have been complied with:

- EN ISO 12100:2010
- EN 60204-1: 2006+A1:2009+AC:2010

Responsible for marking this declaration is the:

Manufacturer

Authorized representative established within the EU

**Manufacturer's Name** : Nuevopak Company Limited (NK Co. Ltd.)  
**Manufacturer's Address:** : Unit 306, 3/FL, Yen Sheng Centre, 64 Hoi Yuen Road, Kwun Tong, Kowloon, Hong Kong.  
**Authorized Rep's Name** : Petrus Cheng  
**Authorized Rep's Address** : Unit 306, 3/FL, Yen Sheng Centre, 64 Hoi Yuen Road, Kwun Tong, Kowloon, Hong Kong.

Person responsible for compiling the technical files established within the EU

**Name, Surname** : TBD  
**Address** : TBD

Person responsible for making this declaration

**Name, Surname** : Petrus Cheng  
**Position/Title** : R&D Department manager

## 3.0 Overview

### 3.1 System Description

The X-Fill Pro Paper Void Fill System creates on-demand protective *Void Fill* material from a pack of fanfolded kraft paper.

The X-Fill Pro paper Void Fill material can be dispensed in four (4) dispense modes:

- **Free Mode**  
This mode produces a continuous stream of paper packaging material using the foot switch or start button.  
See 5.3 *Free Mode*
  
- **Memory Mode**  
This mode produces a repeatable length of paper packaging material using the foot switch or start button.  
See 5.4 *Memory Mode*
  
- **Preset Mode**  
This mode produces a programmed length of paper packaging material using the foot switch or start button.  
See 5.5 *Preset Mode*
  
- **Cut & Hold Mode**  
This mode produces a programmed length of paper packaging material that is held in the exit chute until manually removed by the *Operator*, and then automatically replaced.  
See 5.6 *Cut & Hold Mode*


## X-Fill Pro (XFP-0)

### 3.2 Sequence of Operation

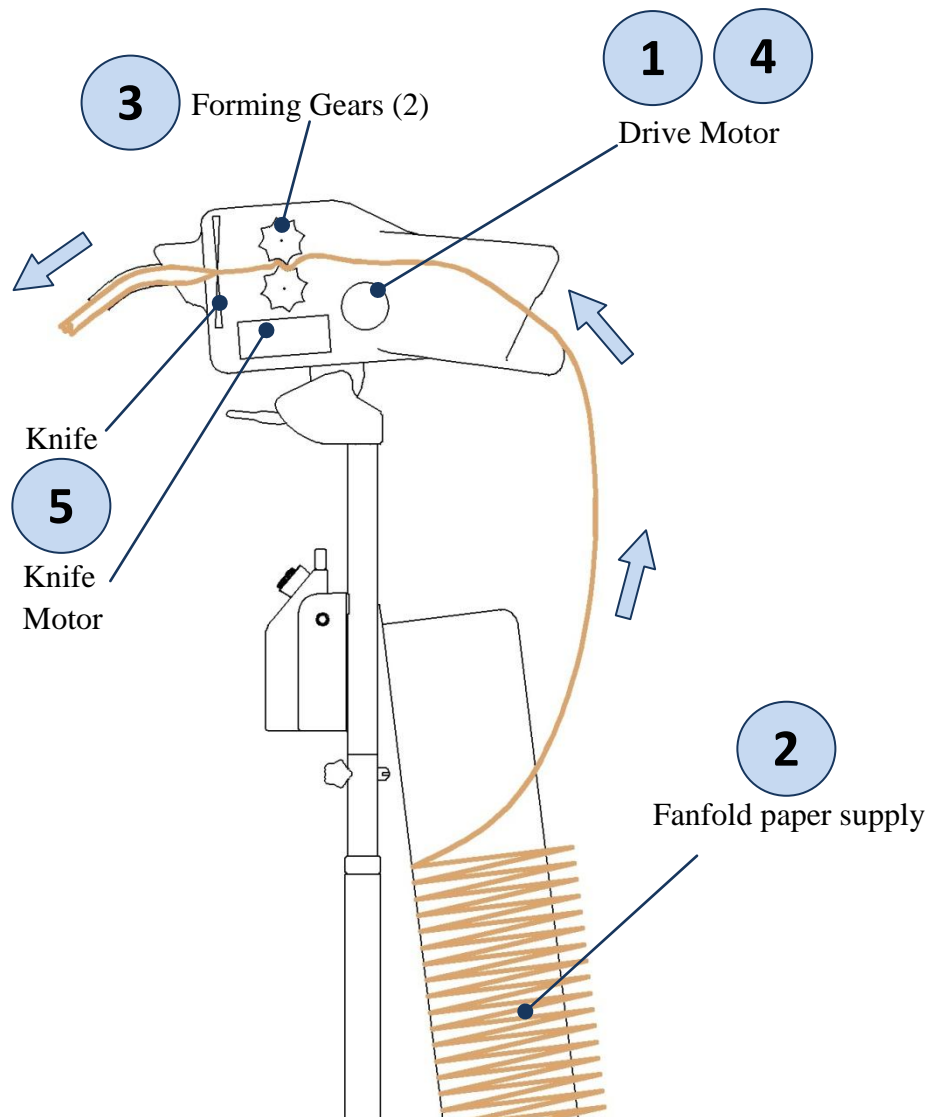
#### Free Mode Output

Dispenses a continuous stream of paper Void Fill material using the *Foot Switch* or *start button*.

1. The operator presses and holds the foot switch (not shown) and the drive motor is activated.

 **Note:** The X-Fill System is for intermittent use and should not be run continuously for more than 1 minute.

2. The paper is pulled from the Fanfold paper supply.
3. The paper is passed through the forming gears.
4. When the desired length of paper material is dispensed out the exit chute, the operator releases the foot switch (not shown) and the drive motor stops.
5. The knife motor automatically activates the knife to separate the dispensed paper from the paper web.



Sequence of Operation  
Figure 3-1

### 3.3 Electrical Power Requirements



**WARNING!** Use of an improperly rated or an ungrounded extension cord could create an electrical shock hazard as well as operational problems.

X-Fill Pro	Receptacle Type	A/C Voltage	Phase	Current
Model No.: XFP-0-U	NEMA 5-020R	100-240VAC 50/60Hz	Single Phase Grounded	15A Service 2A
Model No.: XFP-0-E	CEE7/7	100-240VAC 50/60Hz	Single Phase Grounded	15A Service 2A

**Electrical Power Requirements  
Table 3-2**

### 3.4 Paper Types



**Note:** The use of non-Nuevopak materials will cause material production problems, may damage the equipment, and will reduce the quality of packaging protection.



**WARNING!** The paper supplies are heavy – see the weights below.

X-Fill Pro Paper	Type	Material Dims	Material Length	Material Weight
X500500A	50g 30" single ply Fanfold Paper	30" x 11" x 5.5" 76.2cm x 28cm x 14cm	500m	19kg
X700360A	70g 30" single ply Fanfold Paper	30" x 11" x 6.3" 76.2cm x 28cm x 16cm	360m	19.2kg
X900300A	90g 30" single ply Fanfold Paper	30" x 11" x 7.1" 76.2cm x 28cm x 18cm	300m	20.6kg

**Paper Types  
Table 3-3**



## X-Fill Pro (XFP-0)

---

### 3.5 System Components

#### 1. ON/OFF Power Switch

This switch controls incoming power to the system. It is located on the left side of the controller.

#### 2. Emergency Stop Switch

This switch when pushed, disables the drive assemblies. It is located on the top of the controller.

#### 3. Power Cord

This cord must be plugged into a properly rated receptacle – see *3.3 Electrical Power Requirements*.

#### 4. Control Panel

This touch screen panel is used to operate and program the system – see *5.2 System Controls*.

#### 5. Controller

This box contains the system electronics.



**WARNING!** Do not open the controller.

#### 6. Paper Exit Chute

The protective packaging paper material exits the system from this point.

#### 7. Paper Entrance Chute

The protective void fill paper material enters the system from this point.



**CAUTION! Risk of Entrapment.** Keep fingers, hair, and jewelry away from this opening while paper is fed into the system.

#### 8. Front Cover

This enclosure is attached to the top cover and when removed provides access to clear dust.



**Note:** Only Qualified Service Personnel are authorized to open or remove covers.

### 3.5 System Components (cont.)

#### 9. Angle Shelter

Set the head angle by angle shelter under the machine.

- The use method of the Angle Shelter – see *Figure 3-4*.

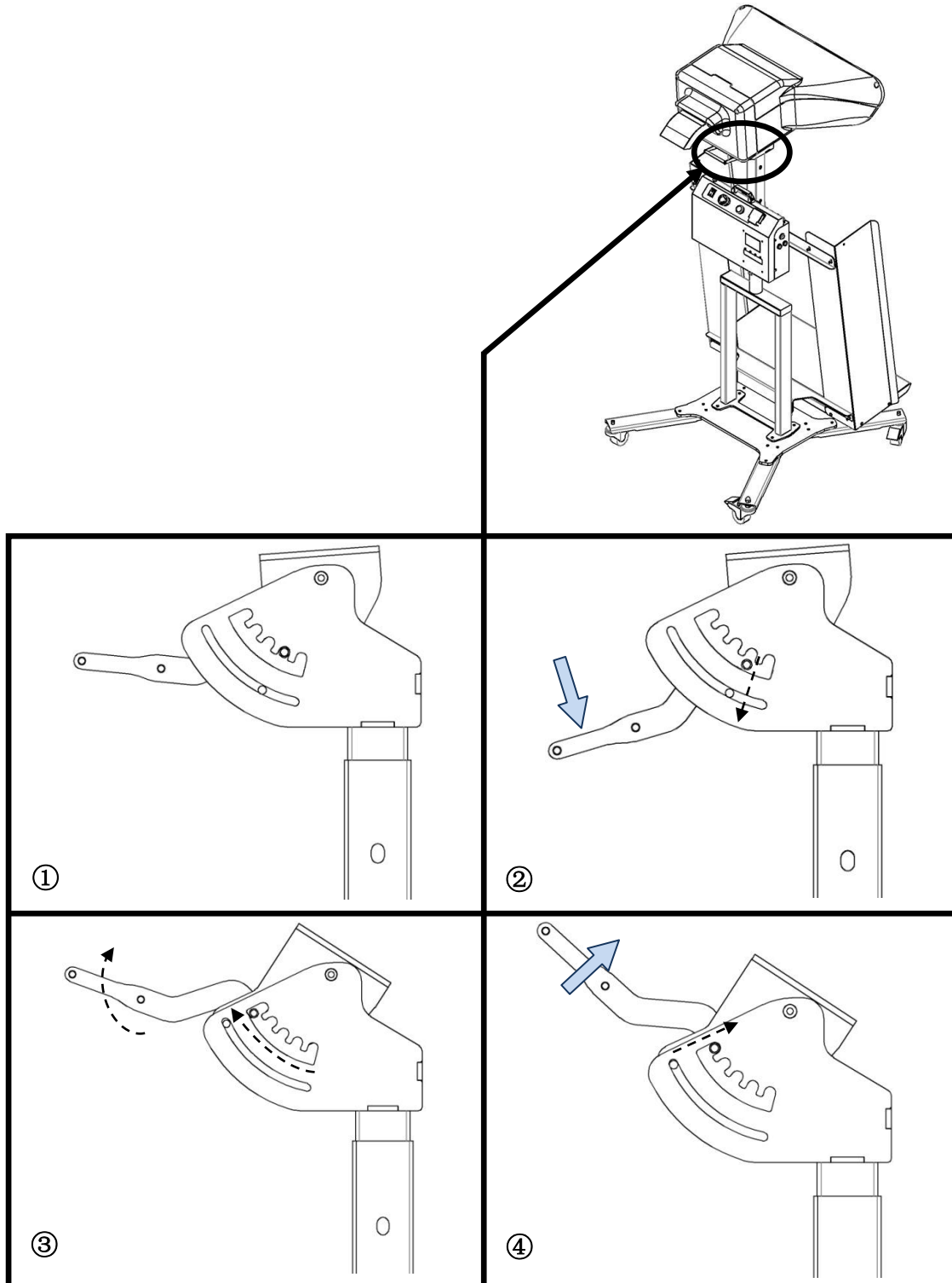
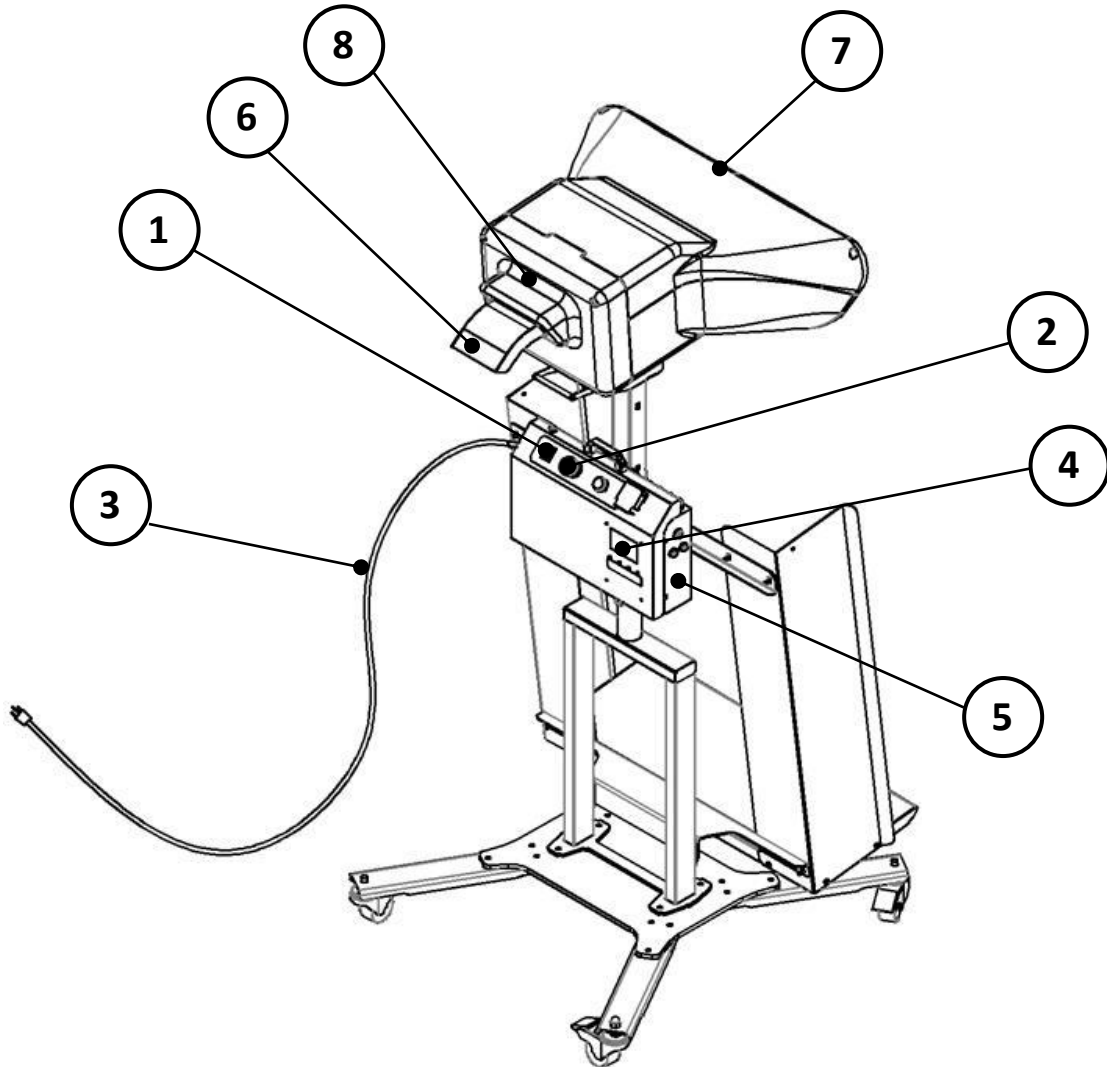


Figure 3-4

**X-Fill Pro (XFP-0)**

**3.5 System Components (cont.)**

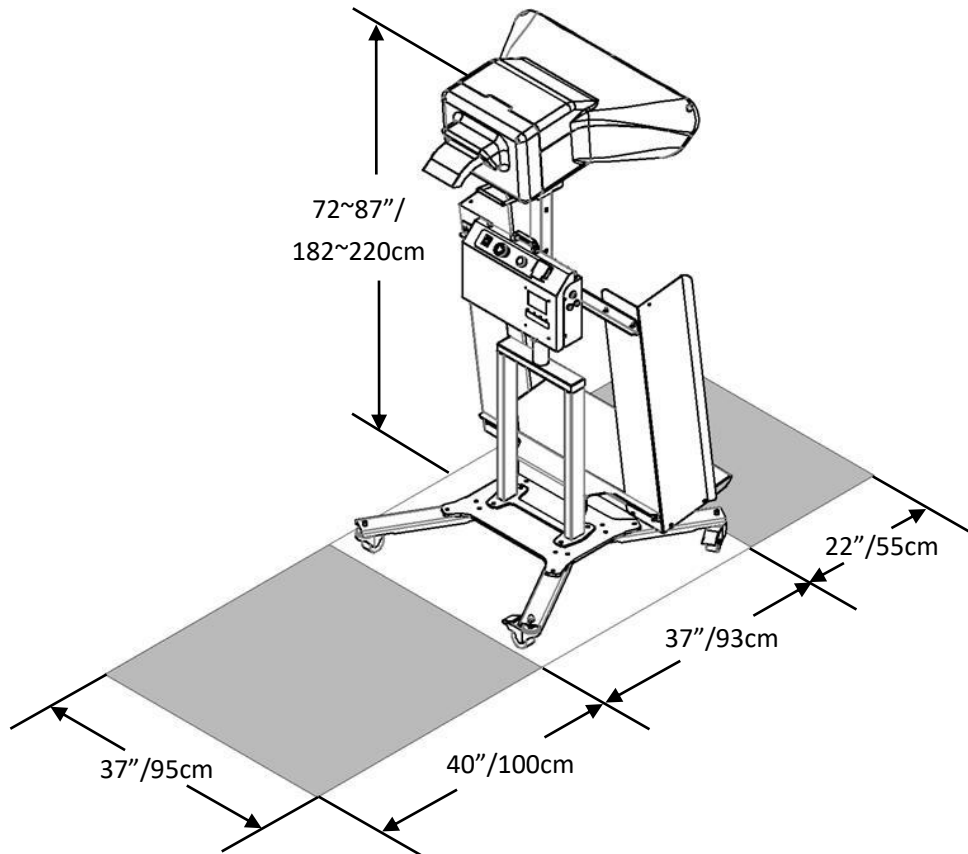


**Component Locations**

**Figure 3-5**

## 4.0 Set-up

Be sure to review your packaging application needs with your distributor or **Nuevopak** representative to determine the most effective X-Fill Pro System solution.



**System Set-up**  
**Figure 4-1**

## X-Fill Pro (XFP-0)

### 4.1 System Set-up – Floor Stand for X-Fill Pro

1. Uncreate the system with the help of your distributor or Nuevopak representative.
2. Setup the Floor Stand for X-Fill Pro:

- Tools required:

Hex key.

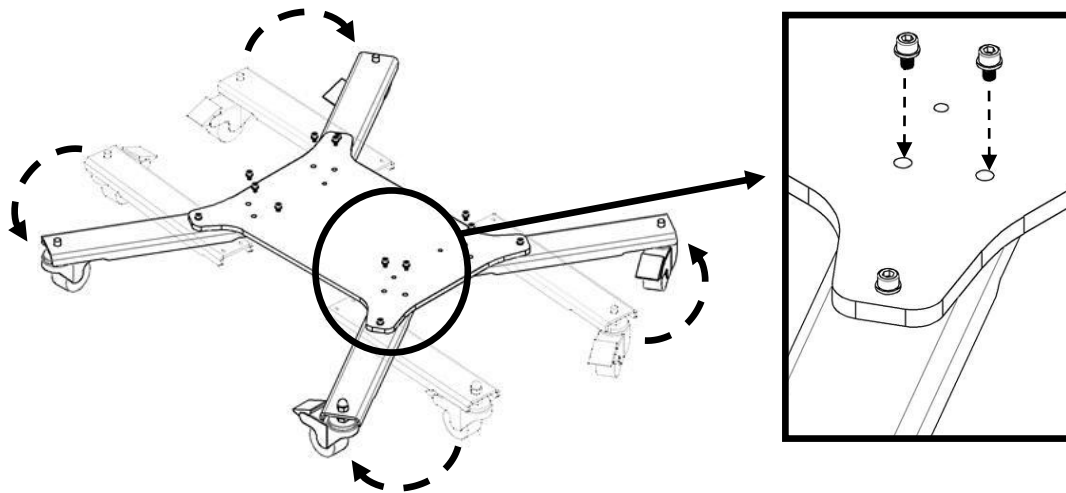
- Install the Floor Stand for X-Fill Pro:



**WARNING!** The floor stand is heavy and weights 50 lbs. / 23kg and 87 lbs. / 40kg.

Open the two carton boxes Part#: XPA-A3000 – Floor Stand Assembly.

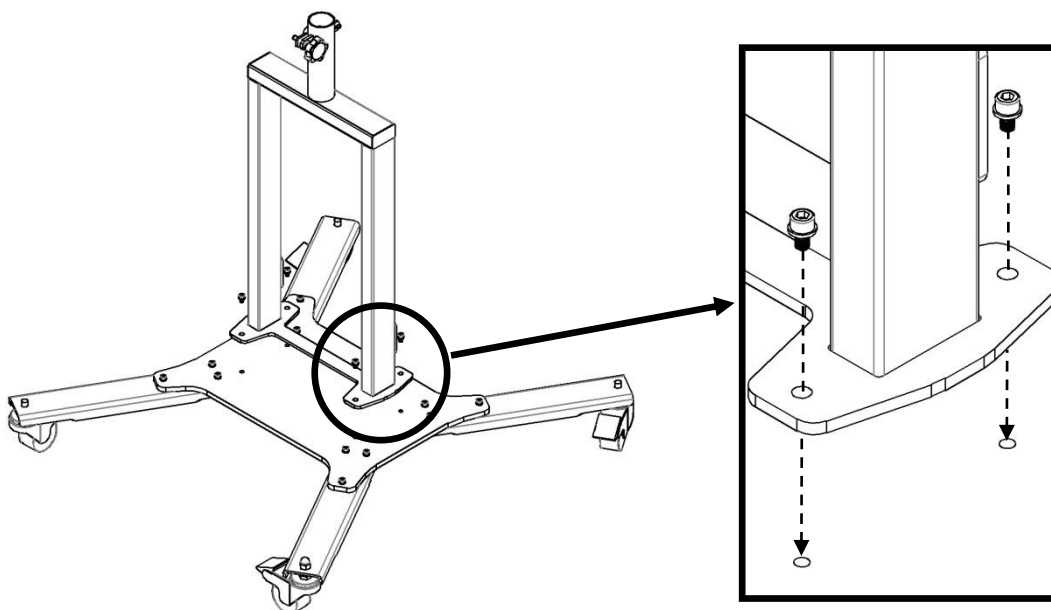
**Step 1:** Turn the four casters to the designed position and install them to the Floor Stand.



**Install the Floor Stand – Step 1**

**Figure 4-2**

**Step 2:** Install the first vertical part of the Floor Stand.

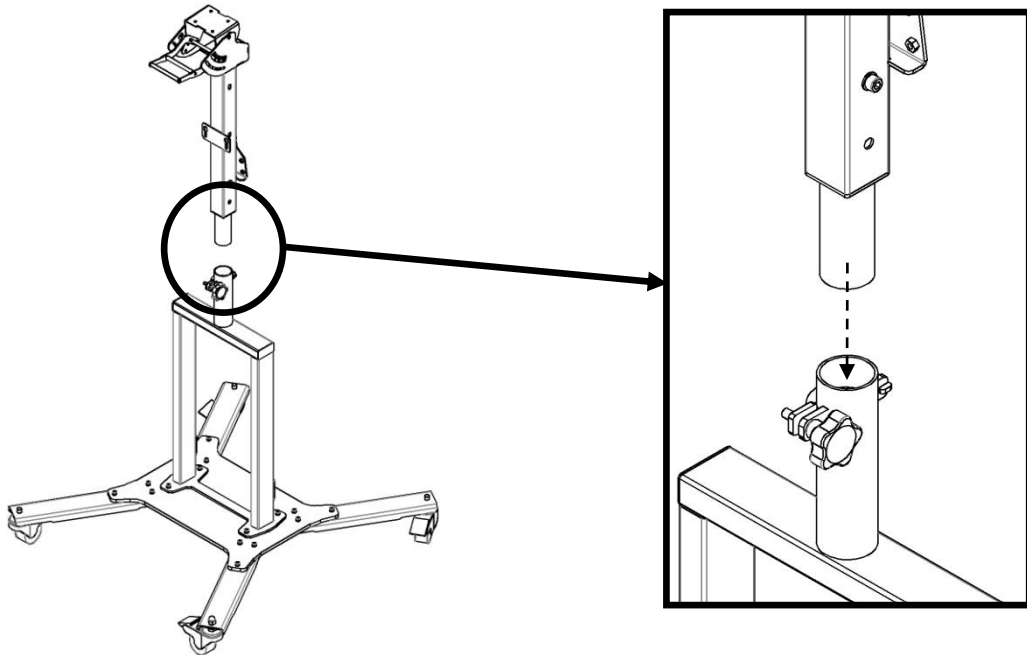


**Install the Floor Stand – Step 2**

**Figure 4-3**

**4.1 System Set-up – Floor Stand for X-Fill Pro (cont.)**

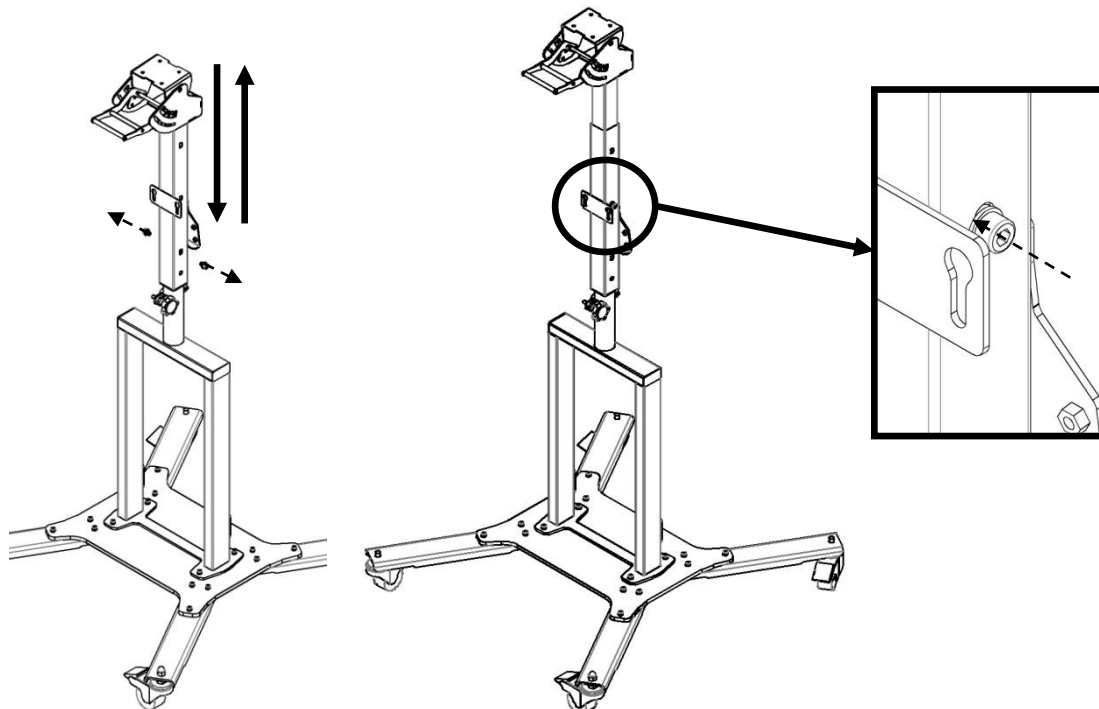
**Step 3:** Place the second vertical part and the angle shelter on the designated location.



**Install the Floor Stand – Step 3**

**Figure 4-4**

**Step 4:** Loose the two pre-install screws, adjust the angle shelter to the position you want. Re-install the two mounting screws.



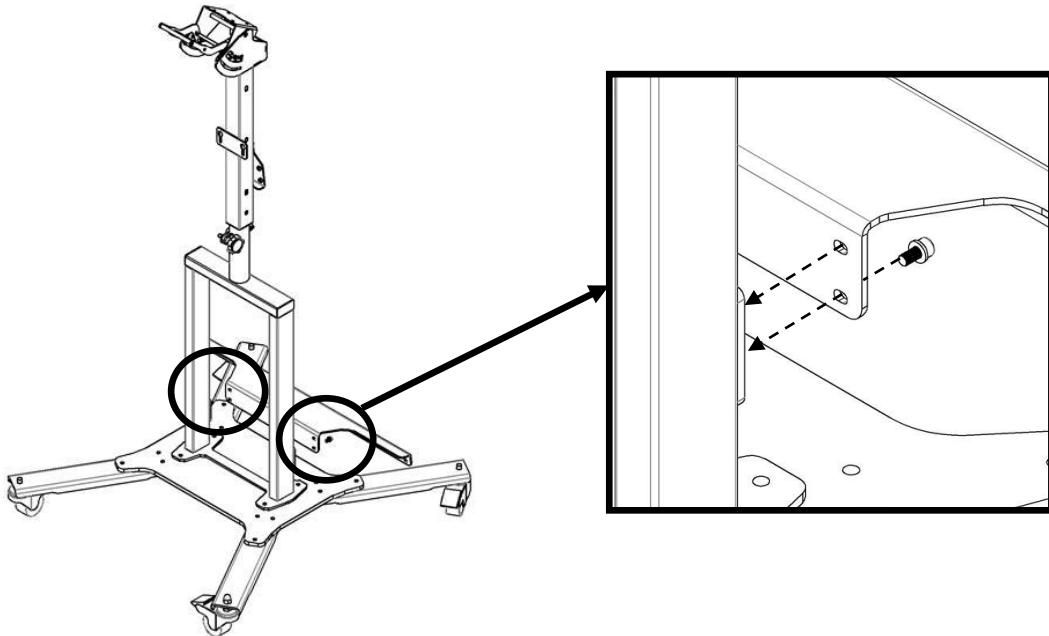
**Install the Floor Stand – Step 4**

**Figure 4-5**

## X-Fill Pro (XFP-0)

### 4.1 System Set-up – Floor Stand for X-Fill Pro (cont.)

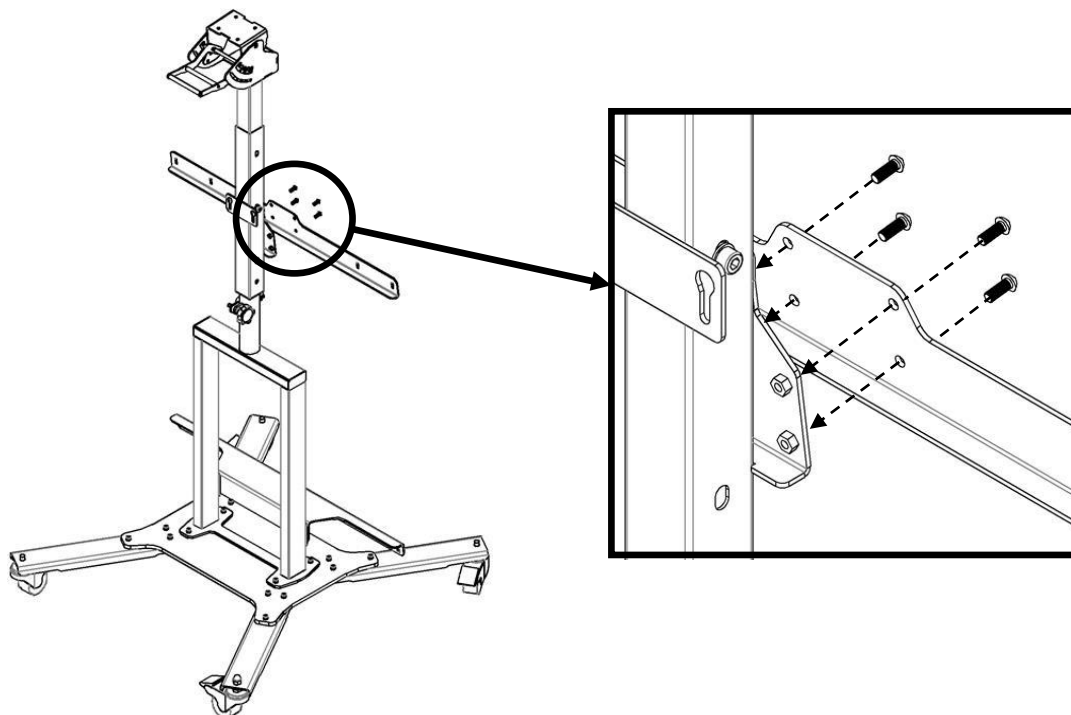
**Step 5:** Loosen the four pre-install screws and install the first cross bar by the four screws.



**Install the Floor Stand – Step 5**

**Figure 4-6**

**Step 6:** Loosen the four pre-install screws and install the second cross bar by the four screws.

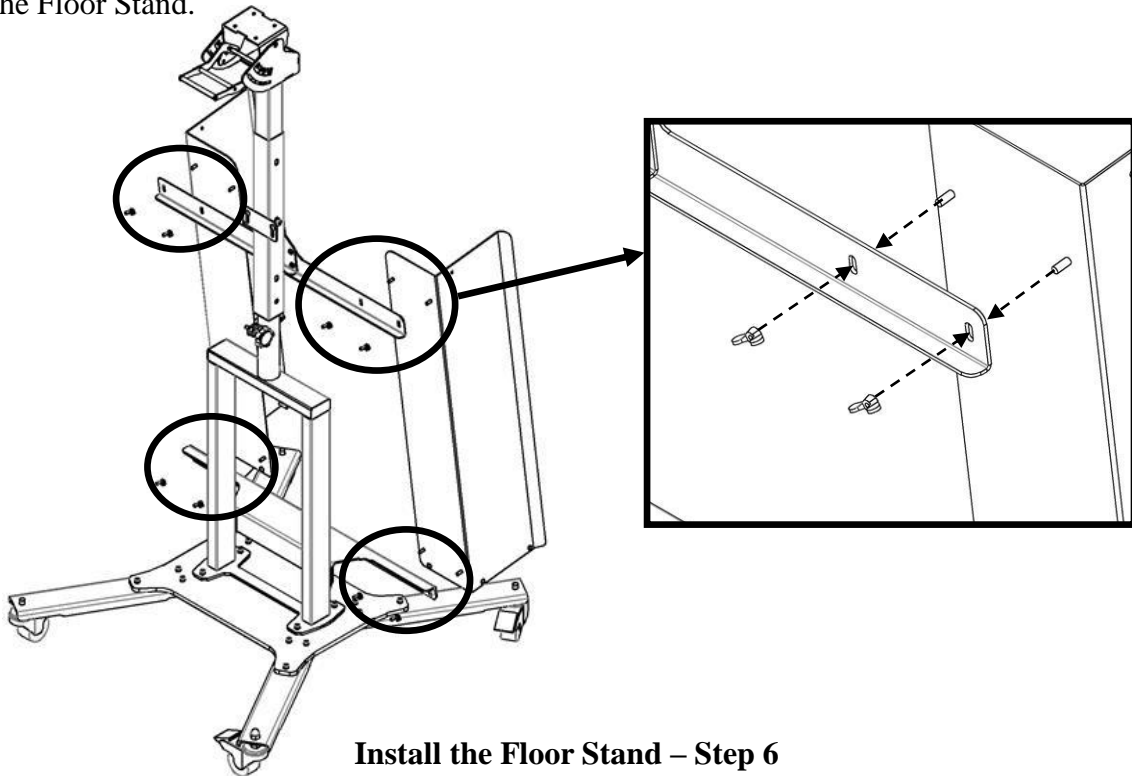


**Install the Floor Stand – Step 4 & Step 5**

**Figure 4-6**

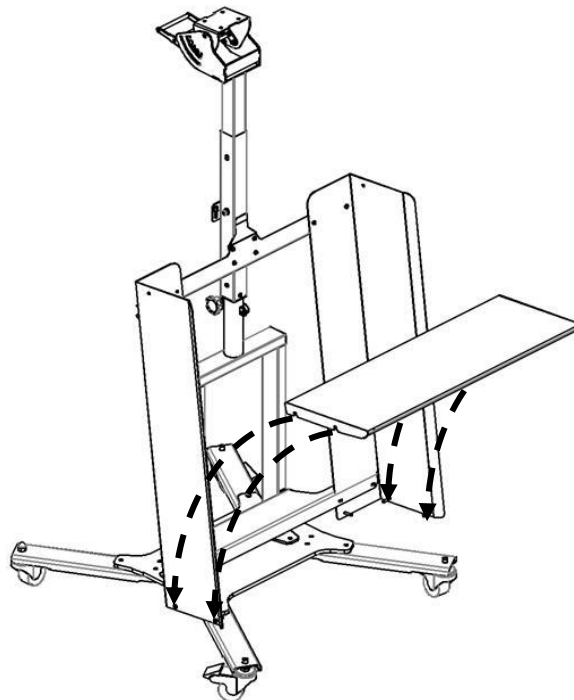
#### 4.1 System Set-up – Floor Stand for X-Fill Pro (cont.)

**Step 6:** Loose the pre-install Butterfly nuts, install the left and the right side of the tray to the Floor Stand.



**Install the Floor Stand – Step 6**  
**Figure 4-7**

**Step 7:** Install the base to the designed location and tighten the Butterfly nuts.



**Install the Floor Stand – Step 7**  
**Figure 4-8**




## X-Fill Pro (XFP-0)

### 4.2 System Set-up – Head Assembly and Controller of X-Fill Pro

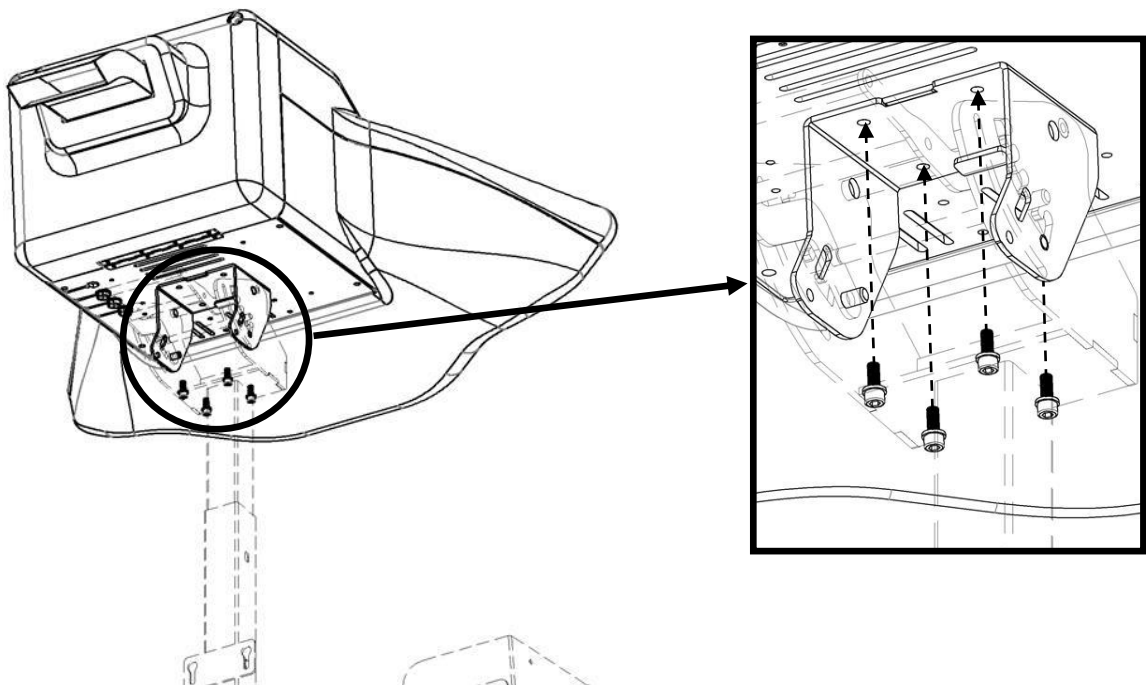
1. Install the Head Assembly and Controller of X-Fill Pro.

- Tools required:  
Hex key.

**Step 1:** Install the Head Assembly:

 **WARNING!** The Head Assembly are heavy and weight 69 lbs. / 32kg.

Disassemble the pre-installed screw from the Head Assembly, then placed the Head on the angel shelter and tight up by screws - see *Figure 4-9*.



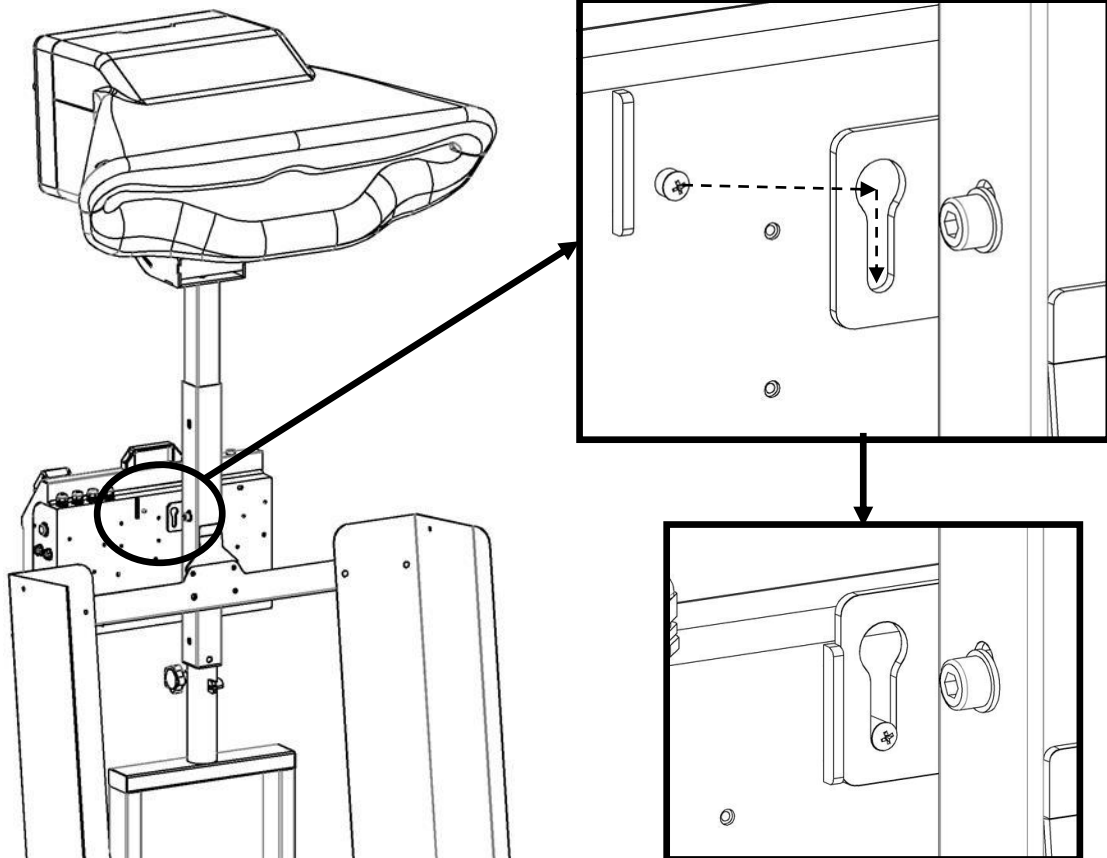
**Install the Head Assembly**  
**Figure 4-9**

## 4.2 System Set-up –Head Assembly and Controller of X-Fill Pro (cont.)

**Step 2:** Install the Controller:

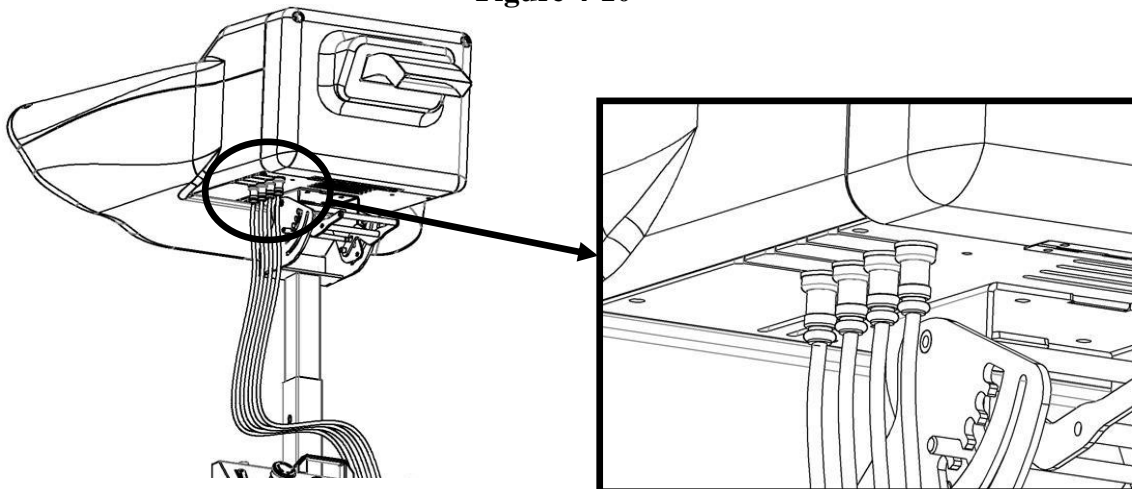
 **WARNING!** The Controller is heavy and weight 22 lbs. / 10kg.

Place the Controller on the designed location.– see *Figure 4-10*. Then connect the four cables of the Controller with the Head Assembly – see *Figure 4-11*.



**Install the Table Side Stand – Step 3**

**Figure 4-10**



**Install the Table Side Stand – Step 3**

**Figure 4-11**

## X-Fill Pro (XFP-0)

---

### 4.3 Transport, Handling, and Storage

#### Transporting the X-Fill Pro Paper Void Fill System

- System components must be transported in their original packaging.
- Respect the handling symbols on the outside of the packaging.

#### Handling the X-Fill Pro Paper Void Fill System

- Turn the system OFF and unplug the power cord.
- Remove the paper pack.
- If assembled, the X-Fill Pro System on the floor stand can be wheeled to a new location.



**WARNING!** The system is heavy and weights 222 lbs. / 105 kg.

#### Storing the X-Fill Pro Void Fill System

- Turn the system OFF and unplug the power cord.
- Remove the paper pack.
- Store components in the original packaging in a dry indoor area up off the ground on a shipping pallet or equivalent.
- Storage temperature: -4 ~ 122°F / -20 ~ 50°C
- Storage humidity: “dry” ~ 90% (in protective packaging)

## 5.0 Operation

### 5.1 Loading the Paper Pack

Before operating the system, read and thoroughly understand section 2.1 *Important Safety Instructions*.

#### 1. Place the fanfold paper bundle on the system.

- Put the paper pack on the paper bracket.



**WARNING!** The paper supply is heavy – see *Table 3-3*.

#### 2. Load the paper web into the system.

- Uncrate the paper supply.
- Twist the 30" / 76.2cm of the paper into a loose "rope".
- Place the paper "rope" into the entrance chute.

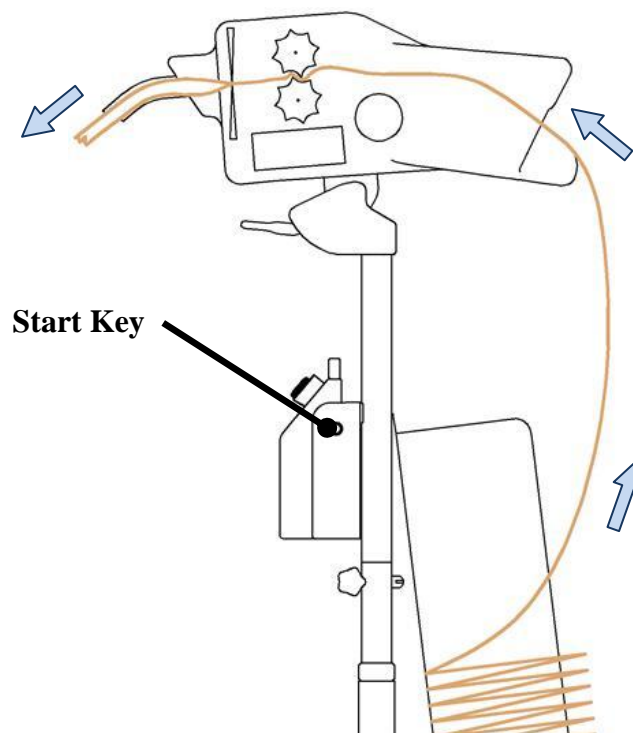
#### 3. Run the paper through the system.

- With the system ON, push and hold the foot switch or the Start Key – see *Figure 5-1*.



**WARNING!** Danger of entrapment. Keep loose hair, clothing and jewelry away from the paper entrance chute area while feeding and operating the system.

- The paper will exit the exit chute.
- Release the foot switch or the Start Key.
- The knife will automatically separate the dispensed paper from the paper web.



Clear the last paper pad and thread the paper through the rollers

**Figure 5-1**

## X-Fill Pro (XFP-0)

---


### 5.2 System Controls

#### 1. ON / OFF Power Switch

This button controls power to the system.

#### 2. Emergency Stop Button (E-Stop) (2)

This red button when pushed disables the drive and cut functions.

 **Note:** To reset the E-Stop, twist and release it and then press the reset button.

#### 3. Reset Button

This blue button initializes the system after the ON/OFF power switch is turned ON or the E-Stop button has been pressed and then released.

#### 4. LCD Screen

The screen displays information about Operator inputs and system status – see *Menu Tree Figure 5-3*.

#### 5. Selection Buttons (4)

**5.1** Reduce Output Length (-).

**5.2** Increase Output Length (+).

**5.3** Output Mode Selection (4) – see *Menu Tree Figure 5-3*.

✓ Continuous Output – see 5. Free Mode Output.

✓ Memory Output – see 5. Memory Mode Output.


✓ Preset Length Output – see 5. Preset Mode Output.

✓ Cut & Hold Output – see 5. Cut & Hold Mode Output.

**5.4** Unit Selection – Meters or Feet.

#### 6. Output Speed Dial

This covered dial controls the speed of the paper through the system.

 **Note:** Keep the cover closed to protect the dial.

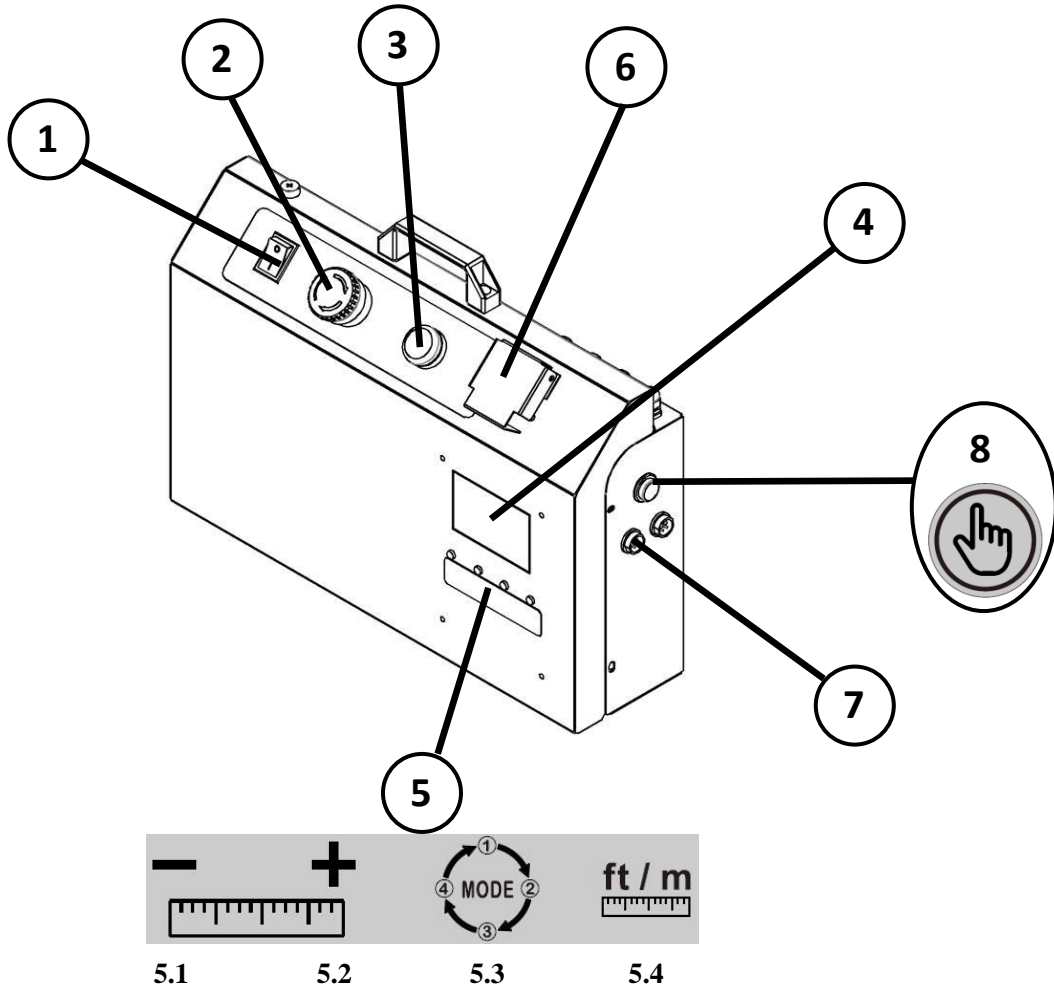
#### 7. Foot Switch (not shown)

This is connect to the foot switch, and the foot switch used to produce material output.

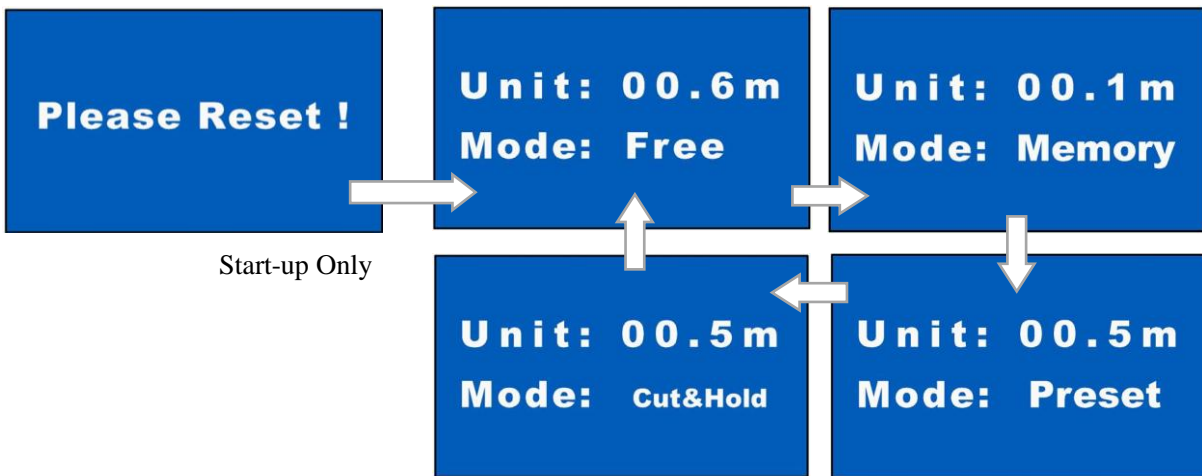
#### 8. Start Key

This key are used to produce material output.

5.2 System Controls (cont.)



System Controls  
Figure 5-2



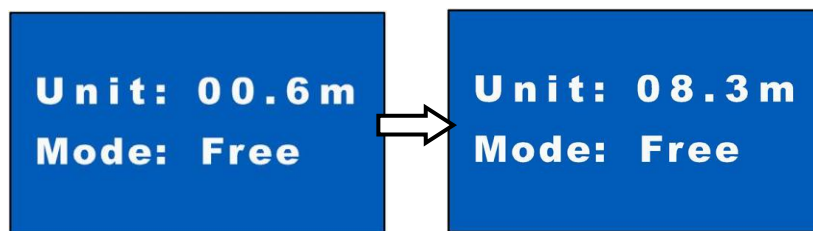
Menu Tree  
Figure 5-3

## X-Fill Pro (XFP-0)

### 5.3 Free Mode Output

*Free Mode* produces a continuous stream of paper packaging material using the foot switch or the start key.

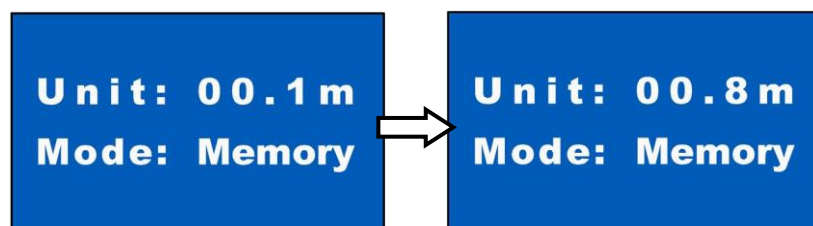
1. **Cycle the Output Mode Selection button until *Mode: Free* appears.**
2. **Press and hold the foot switch for the paper to flow.**
  - △ **Note:** The *X-Fill Pro System* is for intermittent use and should not be run continuously for more than 1 minute.
3. **Release the foot switch for the paper flow to stop.**
  - Once the paper flow has stopped, the knife will automatically activate to cut and separate the paper.
  - The length is displayed, in this case 8.3m (27.2').



### 5.4 Memory Mode Output

*Memory Mode* produces a repeatable length of paper packaging material using the foot switch or the start key.

1. **Cycle the Output Mode Selection button until *Mode: Memory* appears.**
2. **Creat a length of paper to be repeated.**
  - Press and release the foot switch to output the desired length of paper.
  - The length is displayed and will be repeated.
  - In this case, 0.8m (2.62').
3. **Tap the foot switch or the start key to output the memory length.**
  - △ **Note:** The *X-Fill Pro System* is for intermittent use and should not be run continuously for more than 1 minute.
  - The displayed length with dispense.
  - The knife will automatically activate to cut and separate the paper.
  - The paper will automatically eject.



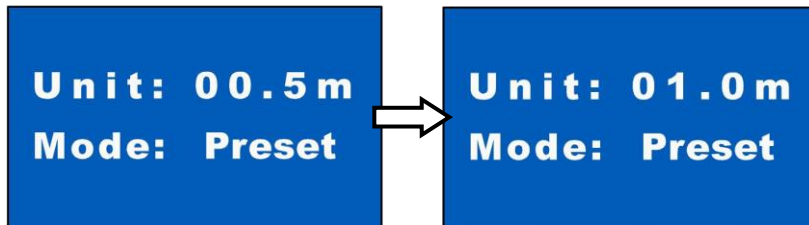
## 5.5 Preset Mode Output

*Preset Mode* produces a programmed length of paper packaging material using the foot switch.

1. **Cycle the Output Mode Selection button until *Mode: Preset* appears.**
2. **Using the “+” and “-” keys, adjust the length in feet / meters on the display.**
  - In this case the output length is set to 1.0m (3.28’).
3. **Tap the foot switch or the start key to output the preset length.**

△ **Note:** The *X-Fill Pro System* is for intermittent use and should not be run continuously for more than 1 minute.

- The preset length will dispense and then will stop.
- The knife will automatically activate to cut and separate the paper.
- The paper will automatically eject.



## 5.6 Cut & Hold Mode Output

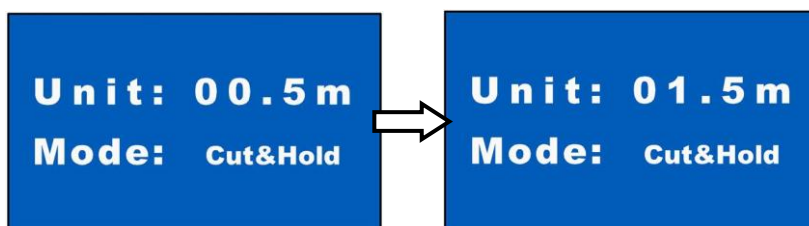
*Cut & Hold Mode* produces a programmed length of paper packaging material that is held in the exit chute until manually removed. Then a replacement length of material is automatically dispensed.

1. **Cycle the Output Mode Selection button until *Mode: Cut & Hold* appears.**
2. **Using the “+” and “-” keys, adjust the length in feet / meters on the display.**
  - In this case the output length is set to 1.5m (4.92’).
3. **Press and release the foot switch or the start key to begin the *Cut & Hold* output.**

△ **Note:** The *X-Fill Pro System* is for intermittent use and should not be run continuously for more than 1 minute.

- The programmed length will dispense and then will stop.
- The knife will automatically activate to cut and separate the paper.

4. **When the Operator manually removes the paper from the exit chute it is automatically replaced.**








## X-Fill Pro (XFP-0)

### 5.7 Runtime Warning


In some cases (before or during the system processing), the system will not output paper as expected and an error message will appear.


ERROR FIGURE	PROBLEM	SOLUTION
	<b>Cut No Reset:</b>	<ul style="list-style-type: none"> <li>• Press the <i>Reset Key</i> to reset the Cutter.</li> <li>• Contact your authorized distributor or Nuevopak representative.</li> </ul>
	<b>E01:</b> Cutter failure.	<ul style="list-style-type: none"> <li>• Check whether the cables of the controller with the Head Assembly are connected.</li> <li>• Contact your authorized distributor or Nuevopak representative.</li> </ul>
	<b>E02:</b> Running failure.	<ul style="list-style-type: none"> <li>• Check whether the cables of the controller with the Head Assembly are connected.</li> <li>• Contact your authorized distributor or Nuevopak representative.</li> </ul>


## 6.0 Maintenance

### 6.1 Maintenance Overview

Before performing maintenance procedures, read and thoroughly understand section 2.1 *Important Safety Instructions*.

 **WARNING!** Always turn the main power switch to the OFF position and unplug the main power cord in the approved manner using Lockout/Tagout procedures where indicated when performing maintenance procedures.

 **WARNING!** Always verify that de-energization for Lockout/Tagout has been PERFORMED.

 **WARNING!** Use protective eye wear when performing maintenance procedures.

This section contains the following operator procedures:

- 6.2 *Cleaning Dust from the System.*
- 6.3 *Replacing the Power Fuse.*

X-Fill Pro System Maintenance Schedule	Activity	Procedure
Monthly / 40 Packs of Fanfold Paper (Operators, Qualified Service Personnel and Nuevopak Rep.)	Clean	<ul style="list-style-type: none"> <li>• Vacuum all dust and debris from the interior of the system – see 6.2 <i>Cleaning Dust from the System.</i></li> </ul>
	Inspect	<ul style="list-style-type: none"> <li>• Component cables are not cut, broken, or damaged.</li> <li>• No components are loose.</li> <li>• All controls and indicators function properly.</li> </ul>
Yearly / 300 Packs of Fanfold Paper (Nuevopak Rep.)	Contact	<ul style="list-style-type: none"> <li>• Schedule an on-site inspection. Call your Nuevopak Representative to inspect the system.</li> </ul>

**Preventive Maintenance Schedule**  
**Table 6-1**

## X-Fill Pro (XFP-0)

### 6.2 Cleaning Dust from the System



**WARNING!** Use protective eye wear when performing maintenance procedures.



**WARNING!** Sharp Knife – Be aware of the knife function and location inside the system, accessible when the rear cover is open.

Machine status:

- De-energization for Lockout/Tagout (LOTO) has been PERFORMED.
- Emergency Stop (E-Stop) is pushed in.

Materials required:

- Hex Key
- Vacuum cleaner

**1. Turn the X-Fill Pro System ON/OFF power switch to the OFF position and unplug the power cord.**



**WARNING!** Failure to turn the system OFF and unplug the power cord can result in injury.



**WARNING!** Verify that de-energization for Lockout/Tagout (LOTO) has been PERFORMED.

**2. Hinge the front cover open.**

- Using a hex key to remove the two (2) screw securing the top cover in place.  
**WARNING! Sharp knife.** Be aware of the position of the knife.
- Hinge the front cover down.

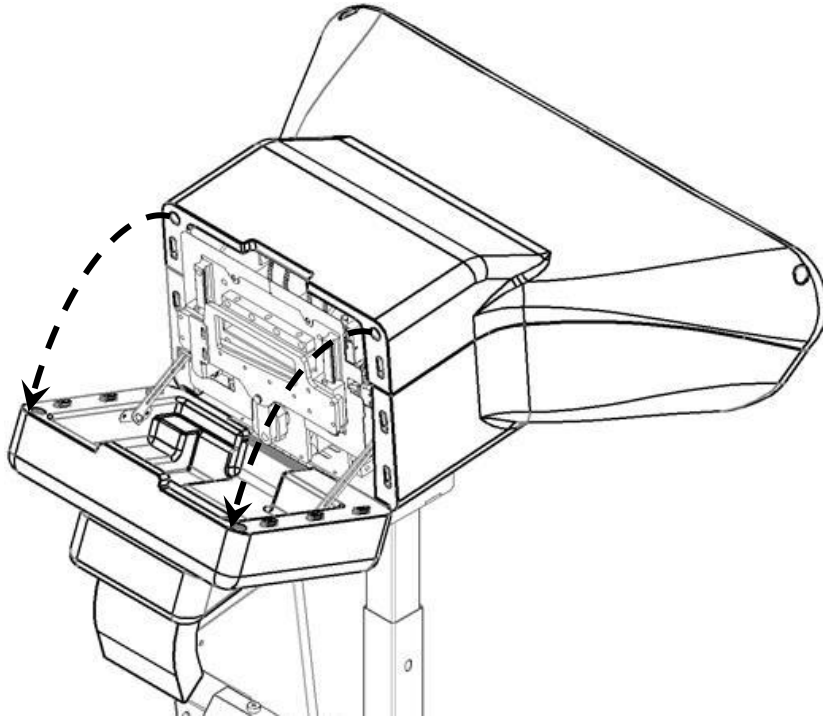
**3. Clean the dust and debris from the inside of the system.**

- Using compressed air or a vacuum cleaner remove any dust and debris from:
  - Interior of the system.
  - Under and around the system.
  - Inside the front cover.

**4. Secure the front cover.**

- Hinge the front cover up.
- Using a hex key and the two (2) screws, secure the front cover in place.
- Remove LOTO, plug in the power cord, turn the ON/OFF power switch to the ON position.

**6.2 Cleaning Dust from the System (cont.)**



**Cleaning Dust from the System  
Figure 6-2**

## X-Fill Pro (XFP-0)

### 6.3 Replacing the Power Fuse



**WARNING!** Use protective eye wear when performing maintenance procedures.

Tools required:

- Screwdriver

1. Turn the X-Fill Pro System ON/OFF power switch to the OFF position and unplug the power cord.



**WARNING!** Failure to turn the system OFF and unplug the VAC power cord can result in injury.



**WARNING!** Verify that de-energization for Lockout/Tagout has been PERFORMED.

2. Remove the existing power fuse.

- Located the fuse on the electrical cabinet.
- Using a screwdriver, unthread the fuse holder cap and pull the fuse out.
- Verify the fuse condition.

3. Install the new power fuse in the fuse holder.

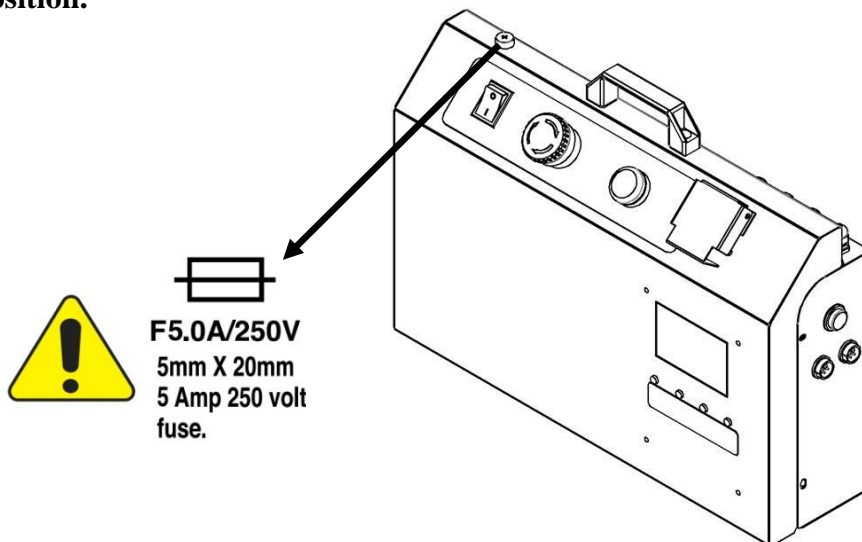
- 5mm×20mm, 5Amp 250volt fuse.



**WARNING!** For continued protection against fire or electric shock, replace with the above fuse type.

- Using the screwdriver secure the fuse holder cap with fuse in place.

4. Plug in the power cord, remove LOTO, turn the ON/OFF power switch to the ON position.



Located the Power Fuse  
Figure 6-3

## 7.0 Troubleshooting

### 7.1 No Power to the System

PROBLEM	POSSIBLE CAUSE	RECOMMENDED SOLUTION
<p><b>7.1.1 There is no power to the system – the system power switch light is OFF.</b></p>	<ol style="list-style-type: none"> <li>1. System is OFF.</li> <li>2. Main power cord is unplugged at the controller or at the outlet.</li> <li>3. Power supply is interrupted.</li> <li>4. System fuse has blown.</li> <li>5. Power extension cord in use.</li> <li>6. Electrical or mechanical failure.</li> </ol>	<ul style="list-style-type: none"> <li>• Turn the ON/OFF power switch to the ON position.</li> <li>• Verify the main power cord is plugged into the back of the system and into a properly rated outlet – see <i>3.3 Electrical Power Requirements</i>.</li> <li>• Verfiy facility power supply.</li> <li>• Replace power inlet fuse – see <i>6.3 Replacing the Power Fuse</i>.</li> <li>• Contact your authorized distributor or Nuevopak representative.</li> <li>• Do not use an extension cord.</li> <li>• Contact your authorized distributor or Nuevopak representative.</li> </ul>

## X-Fill Pro (XFP-0)

### 7.2 Problems with Making Paper Void Fill Material

PROBLEM	POSSIBLE CAUSE	RECOMMENDED SOLUTION
<p><b>7.2.1 The paper does not advance or exit the system when expected – the system power switch is ON.</b></p>	<ol style="list-style-type: none"> <li>Paper supply is empty.</li> <li>Paper improperly loaded – not catching the paper drive.</li> <li>The E-stop(s) is pressed.</li> <li>The E-stop has been released after being pushed, but the reset button has not been pushed.</li> <li>Electrical or mechanical failure.</li> </ol>	<ul style="list-style-type: none"> <li>Load paper – see <i>5.1 Loading the Paper Pack</i>.</li> <li>Verify that the paper supply is properly loaded.</li> <li>Reload paper – see <i>5.1 Loading the Paper Pack</i>.</li> <li>Twist and release the E-Stop and press the reset button.</li> <li>Press the reset button.</li> <li>Contact your authorized distributor or Nuevopak representative.</li> </ul>
<p><b>7.2.2 The paper length is not as expected.</b></p>	<ol style="list-style-type: none"> <li>When using programmed length output, different paper weights can yield different dispense lengths for the same settings.</li> <li>Electrical or mechanical failure.</li> </ol>	<ul style="list-style-type: none"> <li>Adjust the output length and verify new length by dispensing material – see <i>5.5 Preset Output Mode</i>.</li> <li>Contact your authorized distributor or Nuevopak representative.</li> </ul>
<p><b>7.2.3 The knife will not cut the paper.</b></p>	<ol style="list-style-type: none"> <li>Knife is not attached to the knife activation plate.</li> <li>Mechanical failure.</li> </ol>	<ul style="list-style-type: none"> <li>Verify that the knife activation pin is inserted into the bracket.</li> <li>Contact your authorized distributor or Nuevopak representative.</li> </ul>

## **8.0 Customer Service**

### **8.1 Who to Contact**

#### **To Our Customers:**

This **X-Fill Pro Paper Void Fill System** has been manufactured for Nuevopak Co. Ltd. and has been thoroughly tested. If any problems occur while operating this equipment and you desire a phone consultation, call the appropriate number below.

#### **For Service and Replacement Parts:**

1. Contact your Nuevopak Account Representative.
2. Contact toll free Technical Support -

#### **For Technical Information and Troubleshooting Assistance:**

1. Contact toll free Technical Support -

### **8.2 Using Technical Support**

#### **Before you call please have the following information available:**

##### **1. Customer information**

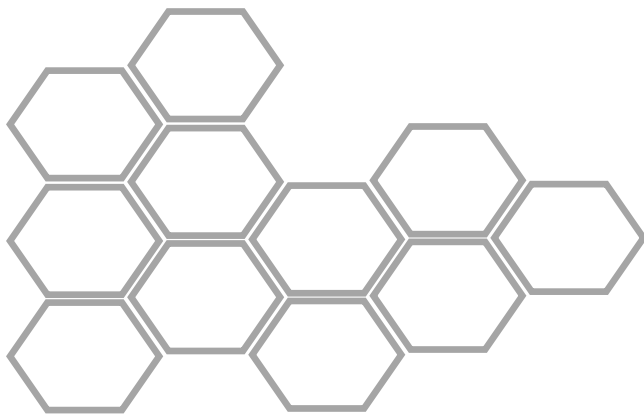
- Company name.
- Company phone number.

##### **2. X-Fill Pro Paper Void Fill System information.**

- System serial number – the “XFP-\_\_\_\_\_” number located on the serial number label on the underside of the paper entrance chute.
- System application type – a description of your system setup.

##### **3. A detailed description of the symptoms that the X-Fill Pro Paper Void Fill System is exhibiting.**





---

**NUEVOPAK**

® Unit 306, 3/FL, Yen Sheng Centre, 64 Hoi Yuen Road,  
Kwun Tong, Kowloon, Hong Kong.

Tel: (852) 3105 0012

[www.nuevopak.com](http://www.nuevopak.com)

---